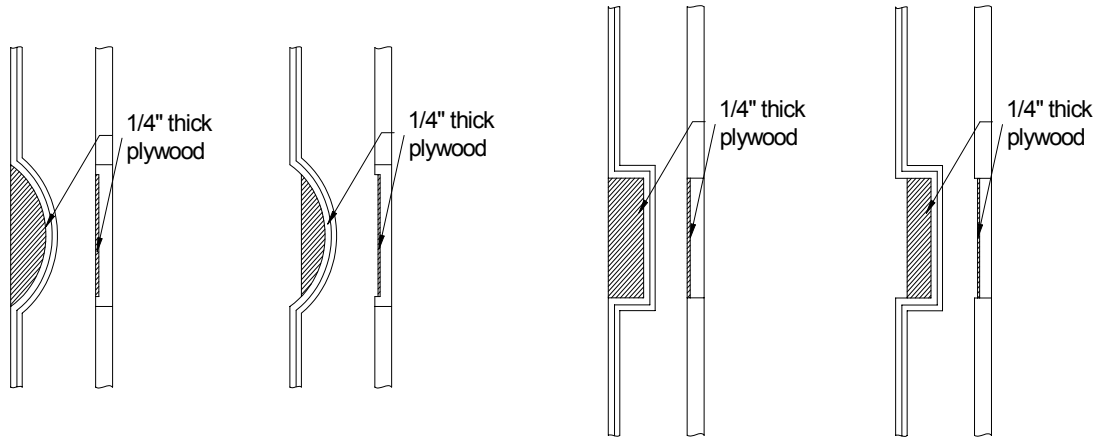


FRENCH DOOR CUTOUTS

French Door Cutouts are as follows:



Type A

Type B

Type C

Type D

- Type A: Curved Flush Cutout
- Type B: Curved Offset Cutout
- Type C: Rectangular Flush Cutout
- Type D: Rectangular Offset Cutout

Note:

* Type A and C are flush with frame.

* Type B and D are offset and go over trim around glass.